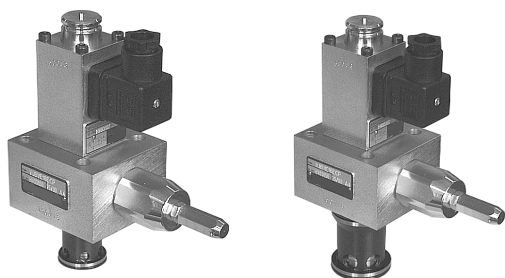


# Pressure-limiting valve with magnetic relief type VUB (size 16 & 32)

operating pressure  $p_{\max}$  350 bar  
volume flow  $V_{\max}$  320 L/min



## Product characteristics

Pressure-limiting valves are a type of pressure control valve. They safeguard the system against excessive system pressure or limit the operation pressure.

### Features and benefits:

- design: screw-in cartridge, hydraulically pilot controlled
- pilot oil: internal, optionally external
- robust design
- sealing possible

## Table of Contents

<b>Technical data</b> .....	<b>2</b>
<b>Dimensions and connections</b> .....	<b>3</b>
<b>Order information</b> .....	<b>5</b>
Contact details.....	6

## Technical data

### General

weight	VUBVE16_:	1.9 kg
	VUBVE32_:	2.1 kg
ambient temperature	-30 to +50 °C	
mounting position	arbitrary	

### Hydraulic parameters

Hydraulic fluid: mineral oil according to DIN 51524, other media on request

max. operating pressure	P, X:	350 bar
	T, Y:	280 bar
volume flow	VUBVE16_:	8-150 L/min
	VUBVE32_:	12-320 L/min
temperature hydraulic fluid	-25 to +70 °C	
viscosity	10-600 mm <sup>2</sup> /s	
permissible degree of pollution	max. class 22/19/16 according ISO 4406	
filter recommendation	filter retention rate $\beta_{25} > 75$	

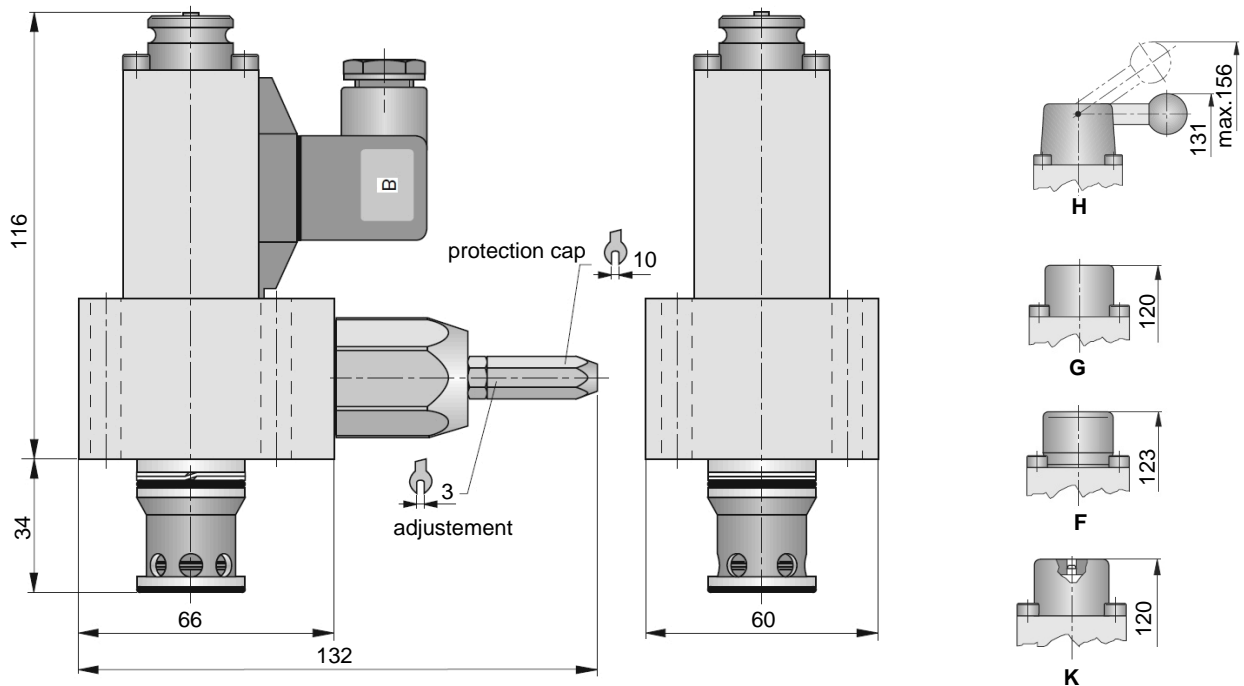
### Actuation

actuation	electromagnetic with / without manual override	
voltage	AC $\pm 10$ % with rectifier socket	
	DC $\pm 10$ %	
power consumption	30 W; P <sub>20</sub> (=power at 20 °C)	
duty cycle	continuous operation	
protection class according DIN 40050	IP65 with attached rectifier socket	

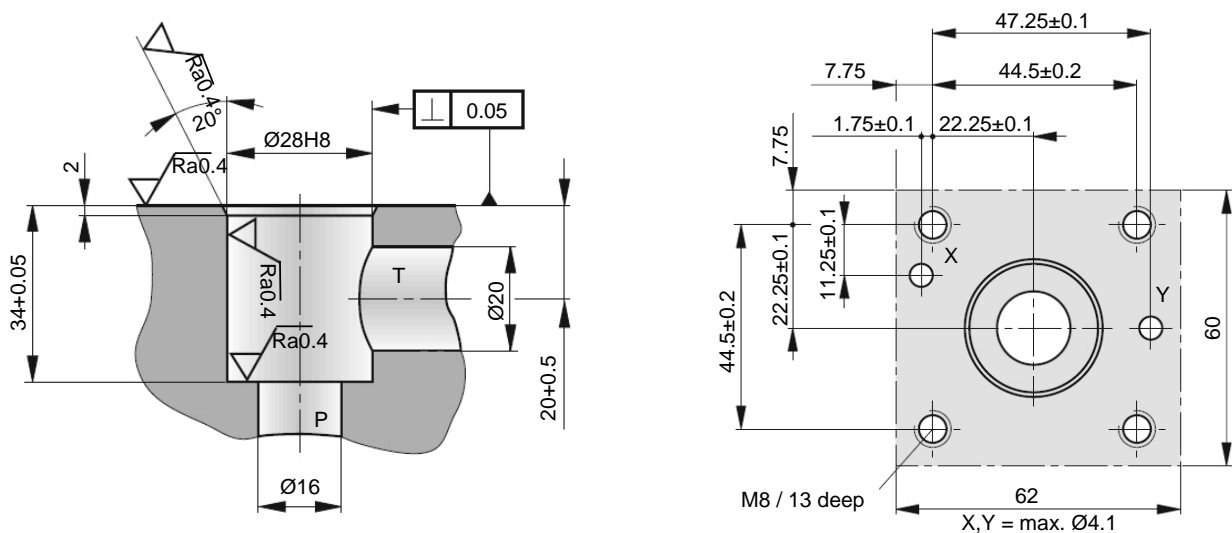
## Dimensions and connections

Dimensions are given in mm.

### VUBVE16E\_



### Mounting space





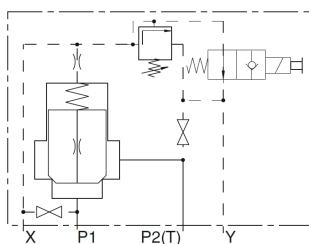
## Order information

### Type code

VUB	VE16	E	D	P	H
type	size	adjustment possibility	pressure ranges	electrical data	manual emergency override

### type

VUB pressure-limiting valve



### size

VE16 see dimensions  
VE32

### pressure ranges

A	5 - 70 bar
B	10 - 140 bar
C	20 - 210 bar
D	50 - 280 bar
E	70 - 350 bar

**electrical data**

N	12 V =
P	24 V =
V*	115 V ~ 50/60 Hz
W*	230 V ~ 50/60 Hz

\*with rectifier socket

further voltages on request

**Manual override**

—	basic version
H	lever
G	closed
F	push button
K	manual override pin recessed

**Contact details****Headquarters**

HAWE Hydraulik SE  
Einsteinring 17  
85605 Aschheim  
Germany

e-mail: [info@hawe.de](mailto:info@hawe.de)  
[www.hawe.com](http://www.hawe.com)

Phone: +49 (0) 89 / 37 91 00 - 1000

**Contact to the Customer Service**

Phone (Head office)	+ 49 (0) 89 / 37 91 00 - 1000
Phone (Spare parts)	+ 49 (0) 89 / 37 91 00 - 1302
Phone (Customer Service)	+ 49 (0) 89 / 37 91 00 - 1491
Fax (Customer Service)	+ 49 (0) 89 / 37 91 00 - 91491
e-mail	<a href="mailto:spareparts@hawe.de">spareparts@hawe.de</a> <a href="mailto:service@hawe.de">service@hawe.de</a>