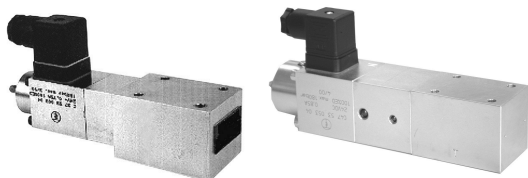


Proportional pressure-limiting valve type VPDB (size 6)

operating pressure p_{max} 350 bar
 volume flow V_{max} 10 L/min



Product characteristics

Pressure-limiting valves are a type of pressure control valve. They safeguard the system against excessive system pressure or limit the operation pressure.

Features and benefits:

- continuous adjustment of pressure
- As a controller, the electronic digital amplifiers PVR2 and PVR6 by HAWE are recommended - specially designed for this type of valve.

Table of Contents

Technical data.....	2
Characteristic lines.....	4
Dimensions and connections.....	5
Order information.....	6
Contact details.....	7

Technical data

General

type	poppet valve	
design	sub-base mounted valve	
weight	VPDBPC06_:	1.9 kg
	VPDB08PC06_S0708:	2.0 kg
ambient temperature	-30 to +50 °C	
mounting position	arbitrary, for exceptions see dimensions	

Hydraulic parameters

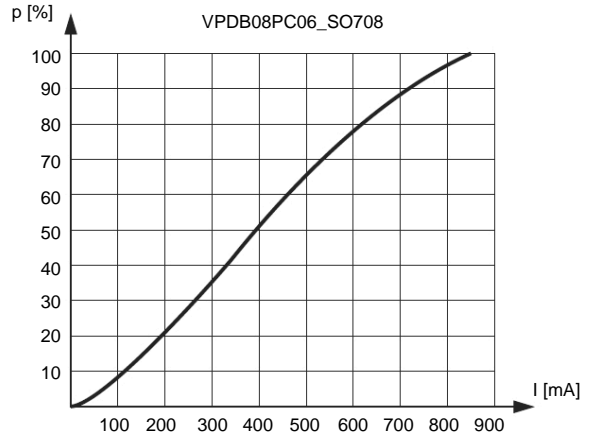
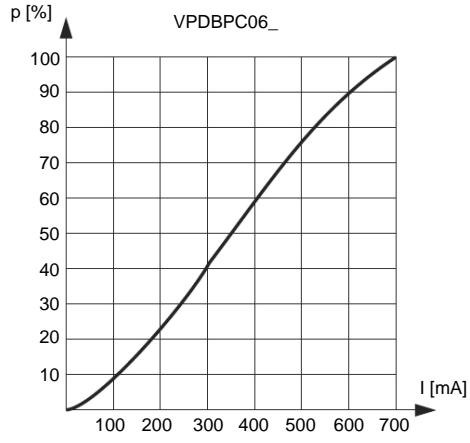
max. operating pressure	P, T, X:	350 bar
	Y:	pressureless to tank
volume flow	VPDBPC06_:	0.5-2 L/min
	VPDB08PC06_S0708:	0.5-10 L/min
temperature hydraulic fluid	-25 to +70 °C	
viscosity	10-600 mm ² /s	
permissible degree of pollution	max. class 22/19/16 according ISO 4406	
filter recommendation	filter retention rate $\beta_{25} > 75$	
hysteresis	40 mA = 6 % for the entire control range	
repeatability	< 1 %	
linearity	5 % for the entire control range	
switching time	~ 80 ms at 0-100 % bar signal	

Electrical parameters

actuation	electromagnetic with proportional solenoid	
nominal voltage	24 V	
voltage	DC	
control current	VPDBPC06:	0-700 mA
	VPDB08PC06_S0708:	0-850 mA
rated output	14 W	
coil resistance	VPDBPC06:	24.6 W
	VPDB08PC06_S0708:	19.4 W (20 °C)
duty cycle	continuous operation	
protection class	IP65 with plug (DIN 40050)	
connection	connector (DIN43650-AF2-PG9)	

Characteristic lines

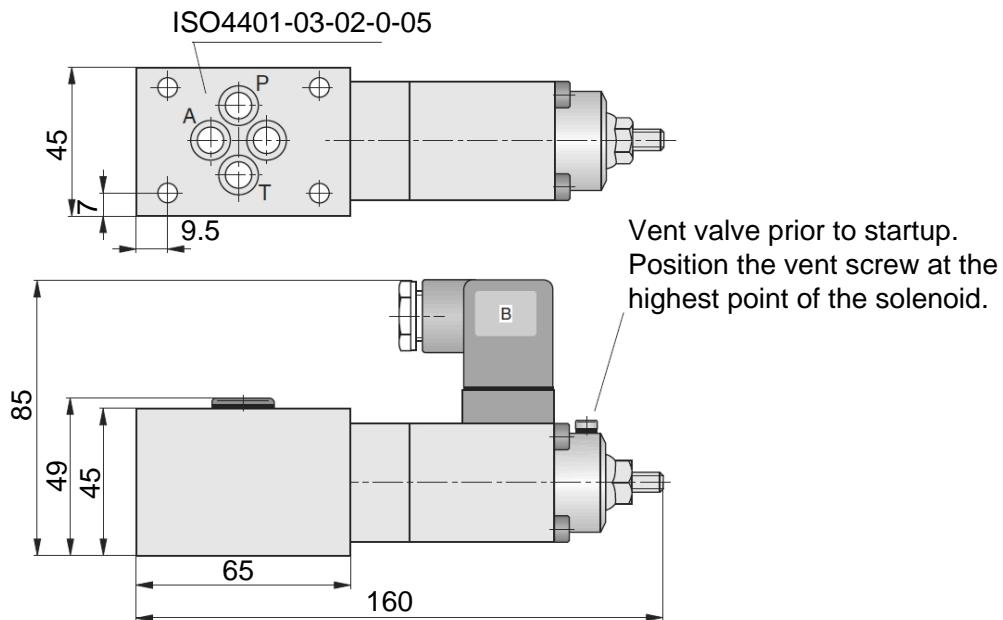
measured at 50 °C temperature of hydraulic fluid, viscosity 35 mm²/s, deviation ±5 %



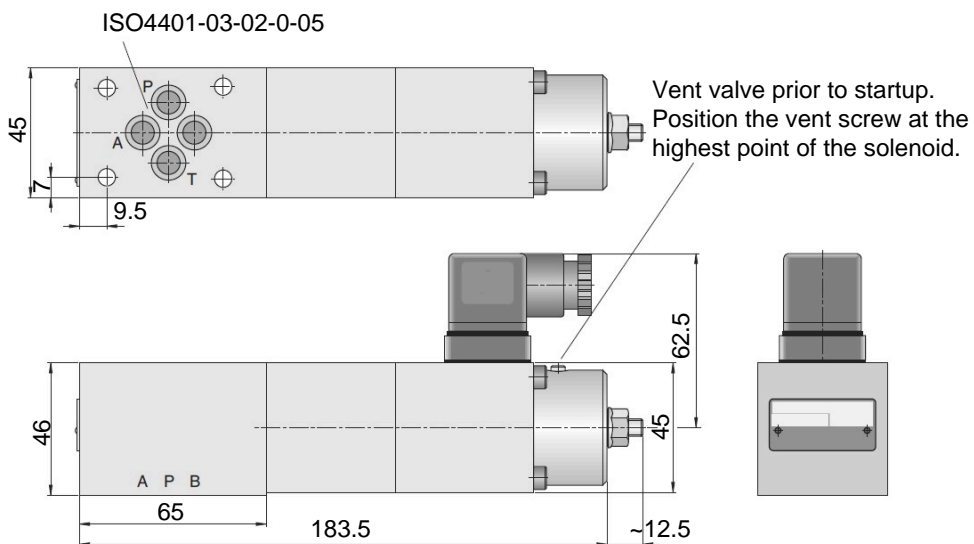
Dimensions and connections

Dimensions are given in mm.

VPDBPC06_



VPDB08PC06_S0708



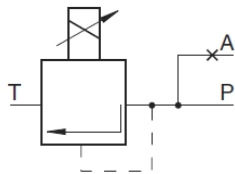
Order information

Type code

VPDB	08PC06	200	S0708
type	design	pressure ranges	special version

type

VPDB | proportional pressure-limiting valve



design

PC06	max. 2 L/min
08PC06	max. 10 L/min

pressure ranges

VPDBPC06_		VPDB08PC06_	
A	max. 70 bar	200	max. 200 bar
B	max. 140 bar	315	max. 315 bar
C	max. 210 bar		
D	max. 280 bar		
E	max. 350 bar		

Contact details

Headquarters

HAWE Hydraulik SE
Einsteinring 17
85605 Aschheim
Germany

e-mail: info@hawe.de
www.hawe.com

Phone: +49 (0) 89 / 37 91 00 - 1000

Contact to the Customer Service

Phone (Head office)	+ 49 (0) 89 / 37 91 00 - 1000
Phone (Spare parts)	+ 49 (0) 89 / 37 91 00 - 1302
Phone (Customer Service)	+ 49 (0) 89 / 37 91 00 - 1491
Fax (Customer Service)	+ 49 (0) 89 / 37 91 00 - 91491
e-mail	spareparts@hawe.de service@hawe.de