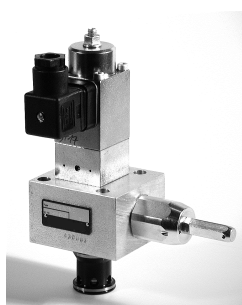


Proportional pressure-limiting valve type VPDB (size 16 & 32)

operating pressure p_{\max} 350 bar
volume flow V_{\max} 320 L/min



Product characteristics

Pressure-limiting valves are a type of pressure control valve. They safeguard the system against excessive system pressure or limit the operation pressure.

Feature and benefits:

- hydraulically pilot controlled plug-in valve for continuous adjustment of pressure
- As a controller, the electronic digital amplifiers PVR2 and PVR6 by HAWE are recommended – specially designed for this type of valve.

Table of Contents

Technical data.....	2
Characteristic lines.....	4
Dimensions and connections.....	5
Order information.....	7
Contact details.....	8

Technical data

General

design	cartridge valve
type	poppet or piston valve
weight	VPDBVE16_: 2.0 kg VPDBVE32_: 2.2 kg
ambient temperature	-30 to +50 °C
mounting position	arbitrary; for exceptions see dimension

Hydraulic parameters

Hydraulic fluid: mineral oil according to DIN 51524, other media on request

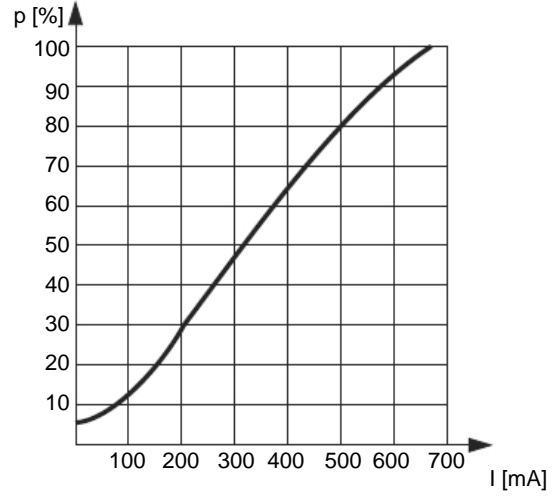
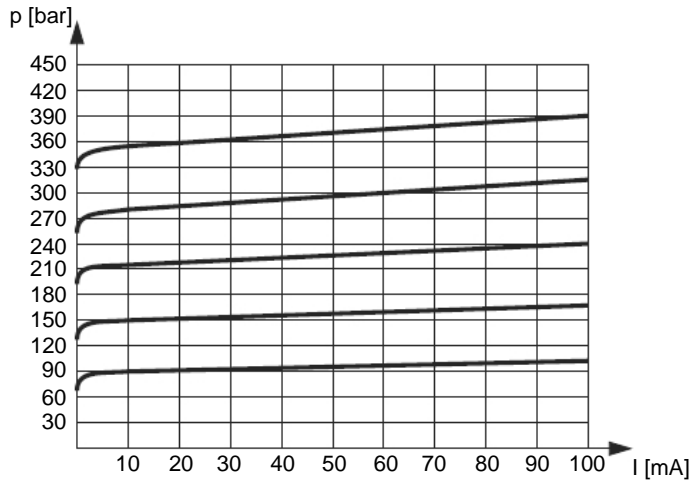
operating pressure	P, T, X: max = 350 bar Y = pressureless to tank
volume flow	VPDBVE16: 8-150 L/min VPDBVE32: 12-320 L/min
temperature hydraulic fluid	-25 to +70 °C
viscosity	10 - 600 mm ² /s
permissible degree of pollution	max. class 22/19/16 according ISO 4406
filter recommendation	filter retention rate $\beta_{25} > 75$
pilot oil	~ 1.3 L/min
hysteresis	50-80 mA without dither < 30 mA with dither
repeatability	< 1 %
linearity	5 % for the entire control range
switching time	~ 80 ms at 0-100 % bar signal

Electrical parameters

actuation	electromagnetic with proportional solenoid
nominal voltage	24 V
voltage	DC
control current	min. = 50 mA max. = 60 mA
rated current	680 mA
rated output	12.4 W
coil resistance (20 °C)	25.3 Ω
duty cycle	continuous operation
protection class according DIN 40050	IP65 with plug
connection	connector (DIN43650-AF2-PG9)

Characteristic lines

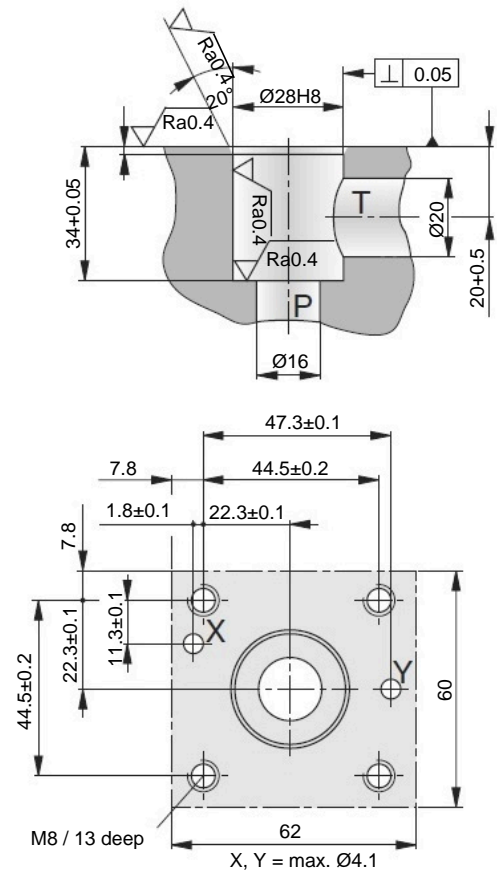
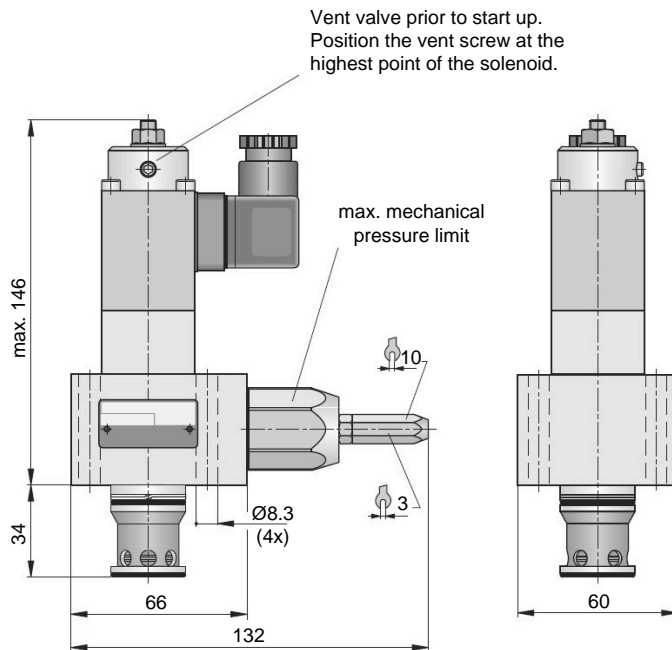
measured at 50 °C temperature of hydraulic fluid, viscosity 35 mm²/s, deviation ±5 %

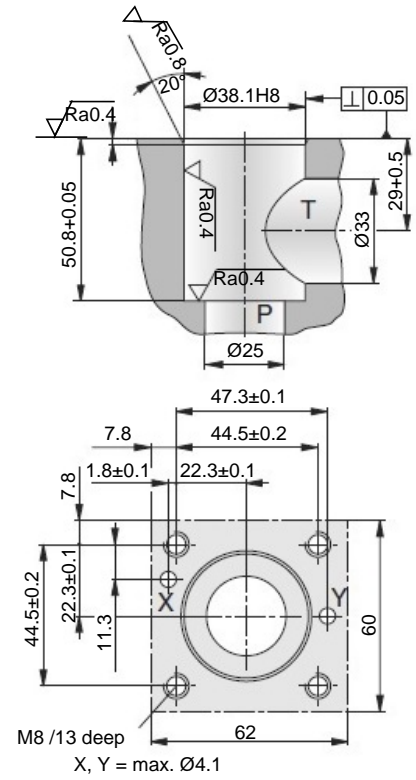
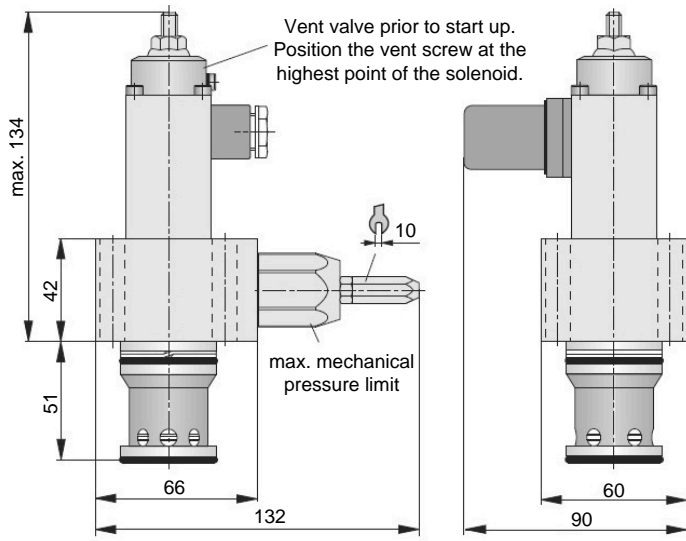


Dimensions and connections

Dimensions are given in mm.

VPDBVE16_

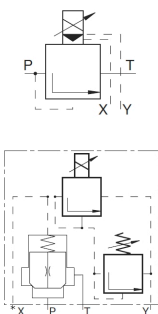




Order information

Type code

VPDB	VE16	C
		<p>pressure range</p> <p>A: 5 - 70 bar</p> <p>B: 8 - 140 bar</p> <p>C: 10 - 210 bar</p> <p>D: 15 - 280 bar</p> <p>E: 20 - 350 bar</p>
	<p>size</p> <p>VE16 VE32</p> <p>see dimensions</p>	
type	proportional pressure-limiting valve	



Contact details

Headquarters

HAWE Hydraulik SE
Einsteinring 17
85605 Aschheim
Germany

e-mail: info@hawe.de
www.hawe.com

Phone: +49 (0) 89 / 37 91 00 - 1000

Contact to the Customer Service

Phone (Head office)	+ 49 (0) 89 / 37 91 00 - 1000
Phone (Spare parts)	+ 49 (0) 89 / 37 91 00 - 1302
Phone (Customer Service)	+ 49 (0) 89 / 37 91 00 - 1491
Fax (Customer Service)	+ 49 (0) 89 / 37 91 00 - 91491
e-mail	spareparts@hawe.de service@hawe.de