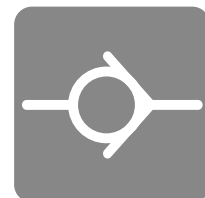
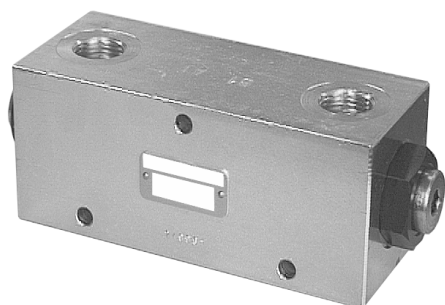


Deblockable check valve type GRV (size 10)

operating pressure p_{max} 350 bar
 volume flow V_{max} 80 L/min



Product characteristics

Check valves with hydraulic release are a type of check valve. They block one or both hydraulic consumer lines or are used as a hydraulically actuated drain or circulation valve.

Features and benefits:

- hydraulically unlockable in blocking direction
- metallic sealing
- A and B must be connected to T when the respective control slider is at middle position.

Table of Contents

Technical data.....	2
Characteristic lines.....	3
Dimensions and connections.....	4
Order information.....	5
Contact details.....	6

Technical data

General

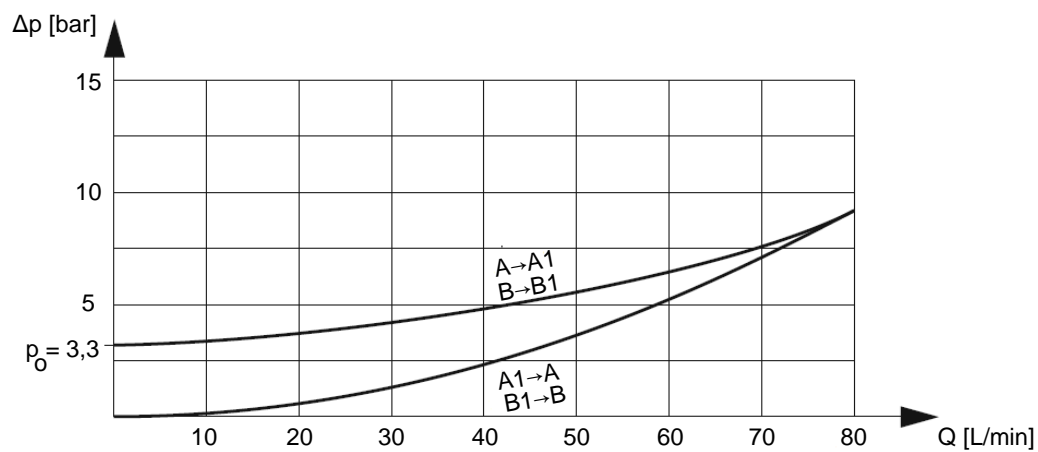
weight	3.8 kg
ambient temperature	-30 to +50 °C
mounting position	arbitrary

Hydraulic parameters

max. operating pressure	350 bar
volume flow	2 - 80 L/min
temperature of hydraulic fluid	-25 to +70 °C
viscosity	10 - 600 mm ² /s
permissible degree of pollution	max. class 22/19/16 according ISO 4406
filter recommendation	filter retention rate $\beta_{25} > 75$
opening pressure	3.3 bar
progression ratio	1 : 4,8
volume of pilot oil	2 cm ³

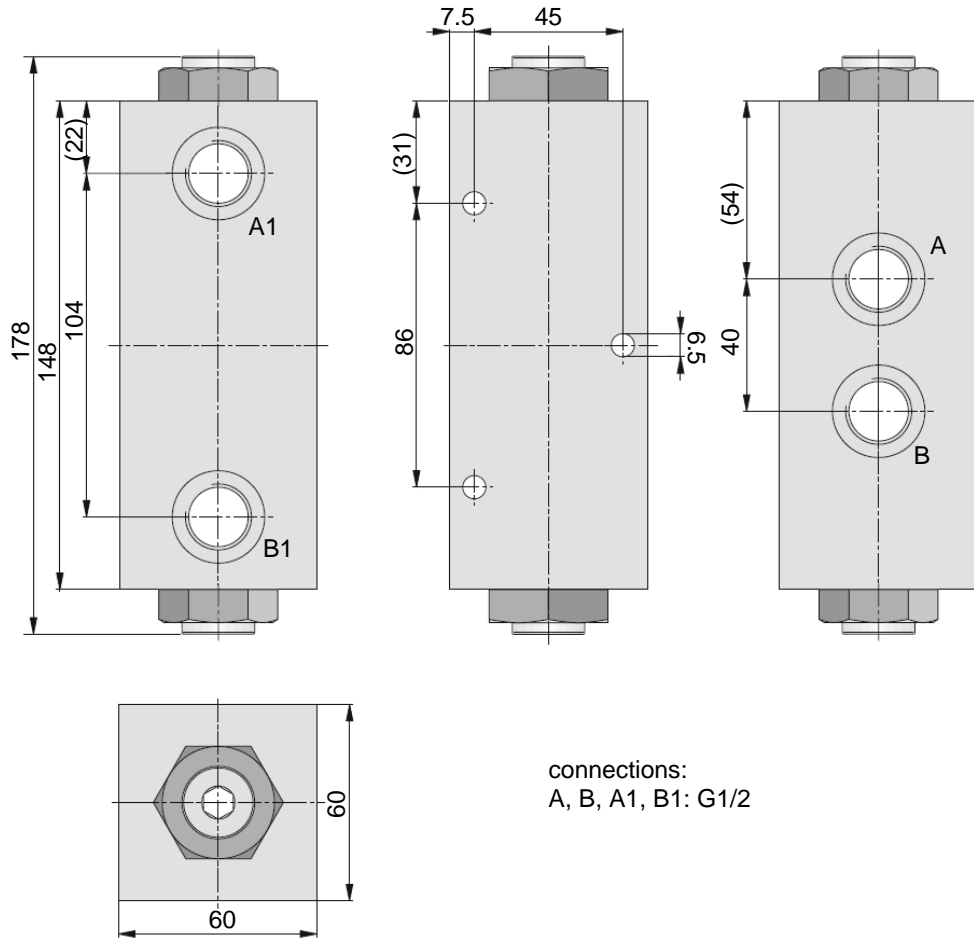
Characteristic lines

measured at +50 °C temperature of hydraulic fluid, 35 mm²/s viscosity, ±5 % deviation



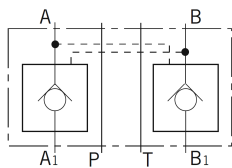
Dimensions and connections

Dimensions are given in mm.



Order information

Type code

GRV2R10N**type** check valve with hydraulic release

Contact details

Headquarters

HAWE Hydraulik SE
Einsteinring 17
85605 Aschheim
Germany

e-mail: info@hawe.de
www.hawe.com

Phone: +49 (0) 89 / 37 91 00 - 1000

Contact to the Customer Service

Phone (Head office)	+ 49 (0) 89 / 37 91 00 - 1000
Phone (Spare parts)	+ 49 (0) 89 / 37 91 00 - 1302
Phone (Customer Service)	+ 49 (0) 89 / 37 91 00 - 1491
Fax (Customer Service)	+ 49 (0) 89 / 37 91 00 - 91491
e-mail	spareparts@hawe.de service@hawe.de