

2-way flow control valve type SR2 (size 8)

| | |
|-------------------------------|------------|
| operating pressure p_{\max} | 350 bar |
| volume flow V_{\max} | 13.5 L/min |



Product characteristics

Flow control valves are a type of flow valve. They generate a set constant flow rate, largely independently of the load.

Features and benefits:

- high repeatability

Table of Contents

| | |
|---------------------------------|---|
| Technical data..... | 2 |
| Characteristic lines..... | 3 |
| Dimensions and connections..... | 4 |
| Order information..... | 5 |
| Contact details..... | 6 |

Technical data

General

| | |
|---------------------|--|
| type | fixed orifice with differential pressure regulator |
| design | clamp-in valve |
| weight | 0.12 kg |
| ambient temperature | -30 to +50 °C |
| mounting position | arbitrary |

Hydraulic parameters

Hydraulic fluid: mineral oil according to DIN 51524, other media on request

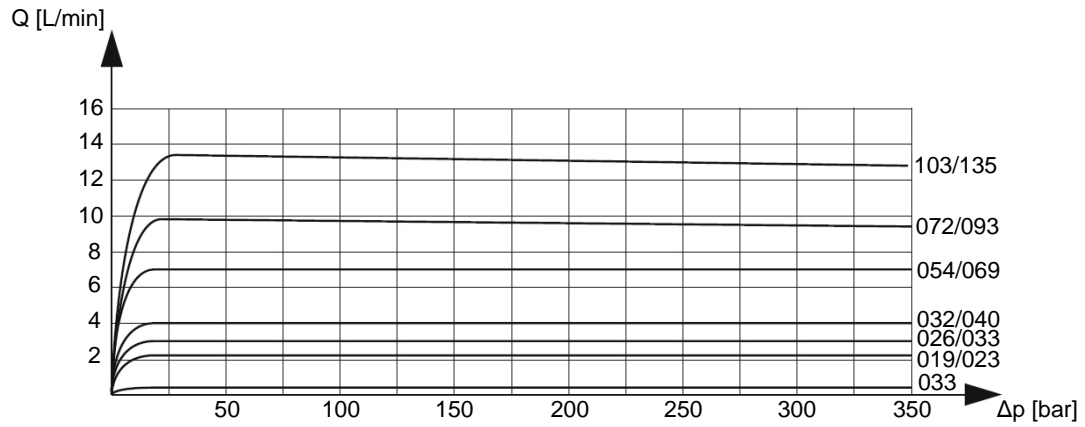
| | |
|---------------------------------|---|
| max. operating pressure | 350 bar |
| max. volume flow | 13.5 L/min |
| temperature hydraulic fluid | -25 to +70 °C |
| viscosity | 10-600 mm ² /s |
| permissible degree of pollution | max. class 22/19/16 according ISO 4406 |
| filter recommendation | filter retention rate $\beta_{25} > 75$ |

Actuation

| | |
|-----------|-------------------------------|
| actuation | mechanically with hexagon key |
|-----------|-------------------------------|

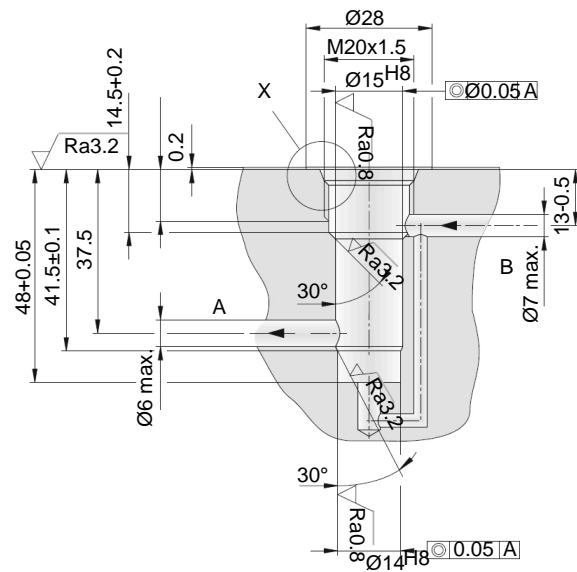
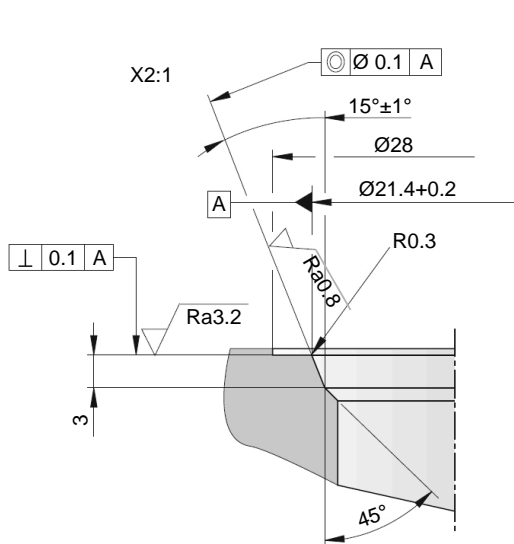
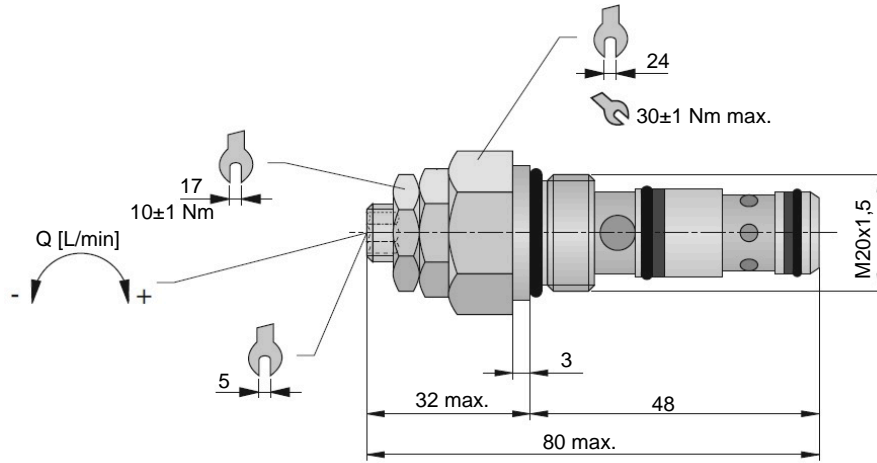
Characteristic lines

measured at +50 °C temperature of hydraulic fluid, 35 mm²/s viscosity, ±5 % deviation



Dimensions and connections

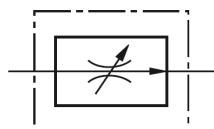
Dimensions are given in mm.



Order information

Type code

| SR2 | BE08 | E | 026/033 | | |
|-------------|--------------------------|---|---------|-------------------------------|------------------------------|
| | | | | control range | 003 0.29-0.36 L/min |
| | | | | | 019/023 1.9-2.3 L/min |
| | | | | | 026/033 2.6-3.3 L/min |
| | | | | | 032/040 3.2-4.0 L/min |
| | | | | | 054/069 5.4-6.9 L/min |
| | | | | | 072/093 7.2-9.3 L/min |
| | | | | | 103/135 10.3-13.5 L/min |
| | | | | adjustment possibility | |
| | size | 8 | | | |
| type | 2-way flow control valve | | | | |



Contact details

Headquarters

HAWE Hydraulik SE
Einsteinring 17
85605 Aschheim
Germany

e-mail: info@hawe.de
www.hawe.com

Phone: +49 (0) 89 / 37 91 00 - 1000

Contact to the Customer Service

| | |
|--------------------------|--|
| Phone (Head office) | + 49 (0) 89 / 37 91 00 - 1000 |
| Phone (Spare parts) | + 49 (0) 89 / 37 91 00 - 1302 |
| Phone (Customer Service) | + 49 (0) 89 / 37 91 00 - 1491 |
| Fax (Customer Service) | + 49 (0) 89 / 37 91 00 - 91491 |
| e-mail | spareparts@hawe.de service@hawe.de |