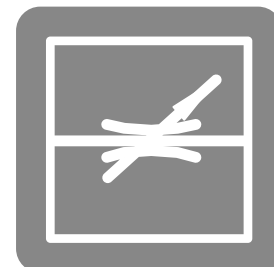


3-way flow control valve type SR3 (size 6)

operating pressure p_{max}
volume flow V_{max}

320 bar
22 L/min



Product characteristics

Flow control valves belong to the group of flow valves. They generate a set constant volume flow largely independent of load.

Features and advantages:

- high repeatability
- either 1 or 4 rotations for controllable range

Table of Contents

| | |
|---------------------------------|---|
| Technical data..... | 2 |
| Characteristic lines..... | 3 |
| Dimensions and connections..... | 4 |
| Order information..... | 5 |
| Contact details..... | 6 |

Technical data

General

| | |
|---------------------|--|
| type | piston valve with gap throttle and differential pressure regulator |
| design | manifold mounting valve |
| weight | 1.5 kg |
| ambient temperature | -30 to +50 °C |
| mounting position | arbitrary |
| connection size | ISO 4401-03-02-0-05 (NG06) |

Hydraulic parameters

Hydraulic fluid: mineral oil according to DIN 51524, other media on request

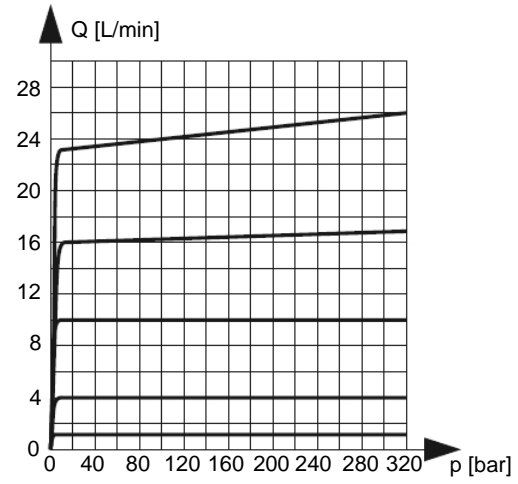
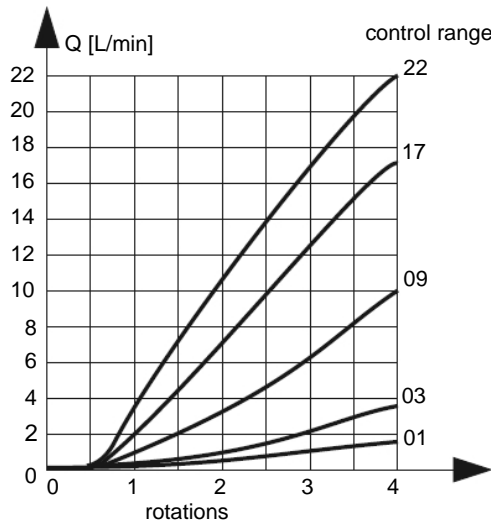
| | |
|---------------------------------|---|
| max. operating pressure | 320 bar |
| max. volume flow | 22 L/min |
| temperature hydraulic fluid | -25 to +70 °C |
| viscosity | 10-600 mm ² /s |
| permissible degree of pollution | max. class 22/19/16 according ISO 4406 |
| filter recommendation | filter retention rate $\beta_{25} > 75$ |

Actuation

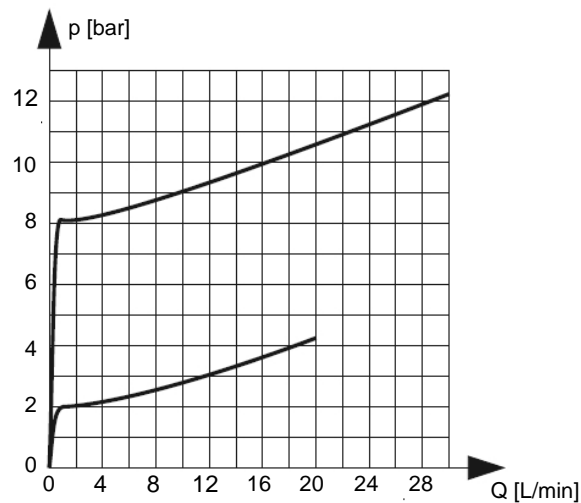
| | |
|-----------|---|
| actuation | mechanically with rotary knob / with lockable rotary knob |
|-----------|---|

Characteristic lines

measured at +50 °C temperature of hydraulic fluid, 35 mm²/s viscosity, ±5 % deviation

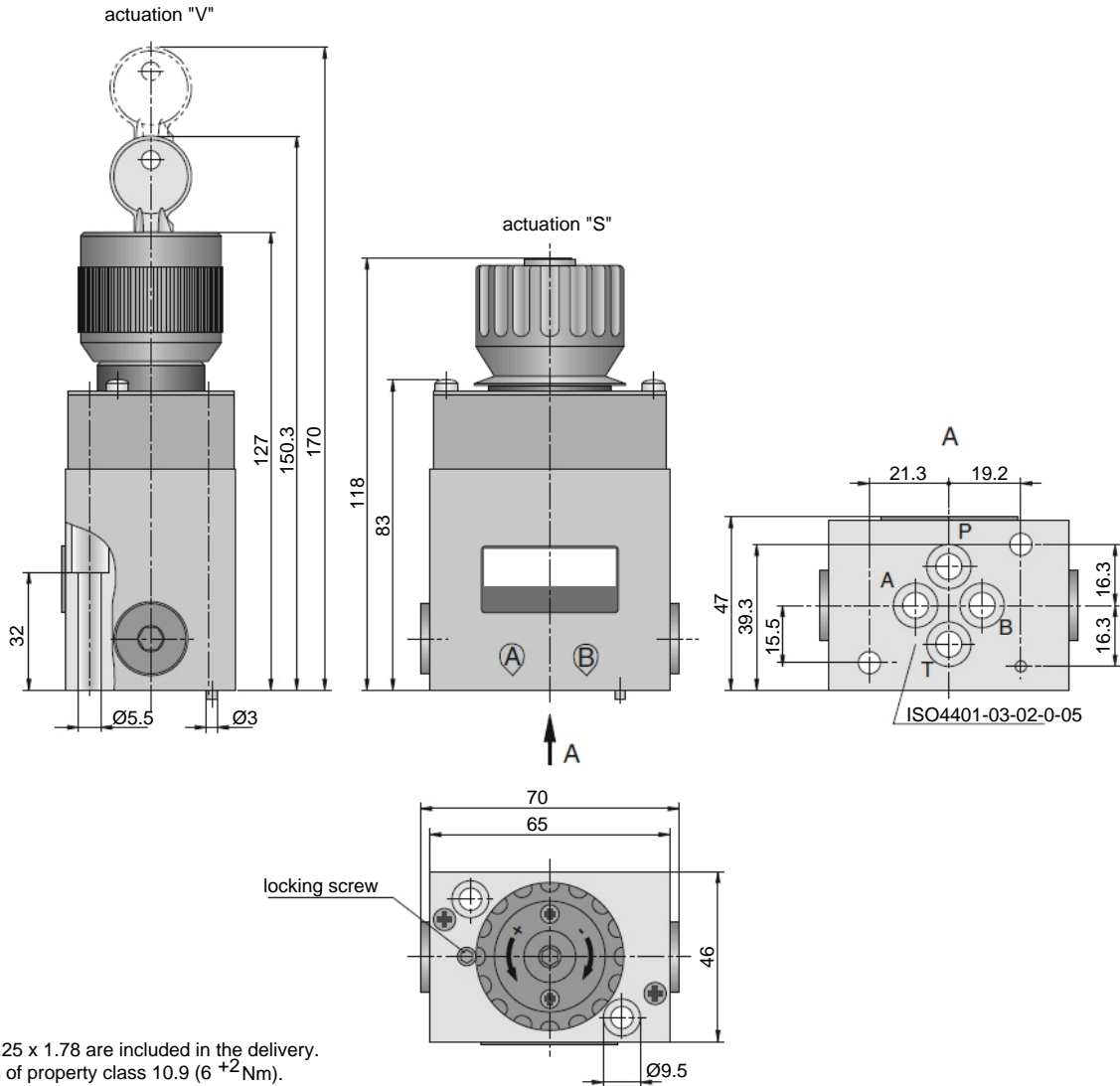


A → T



Dimensions and connections

Dimensions are given in mm.



4 O-rings 9.25 x 1.78 are included in the delivery.
Use screws of property class 10.9 (6^{+2} Nm).

Order information

Type code

| SR3 | PC06 | S | 17 | 1 |
|-------------|--------------------------|---|----|---|
| | | | | setting range 1 1 turn 4 4 turns |
| | | | | control range 01 1 L/min 03 3 L/min 09 9 L/min 17 17 L/min 22 22 L/min |
| | | | | actuation S with rotary knob V lockable |
| | | | | size size 6 |
| type | 3-way flow control valve | | | |

Contact details

Headquarters

HAWE Hydraulik SE
Einsteinring 17
85605 Aschheim
Germany

e-mail: info@hawe.de
www.hawe.com

Phone: +49 (0) 89 / 37 91 00 - 1000

Contact to the Customer Service

| | |
|--------------------------|--|
| Phone (Head office) | + 49 (0) 89 / 37 91 00 - 1000 |
| Phone (Spare parts) | + 49 (0) 89 / 37 91 00 - 1302 |
| Phone (Customer Service) | + 49 (0) 89 / 37 91 00 - 1491 |
| Fax (Customer Service) | + 49 (0) 89 / 37 91 00 - 91491 |
| e-mail | spareparts@hawe.de service@hawe.de |