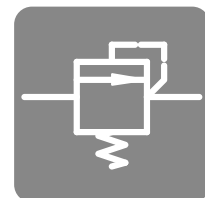


# Proportional pressure reducing valve type VPDM (size 6)

operating pressure  $p_{max}$  350 bar  
 volume flow  $V_{max}$  20 L/min



## Product characteristics

Pressure reducing valves are a type of pressure control valve. They maintain a largely constant outlet pressure even at a variable (higher) inlet pressure.

### Features and benefits:

- manifold mounting valve for continuous adjustment of consumer pressure
- directly controlled

## Table of Contents

<b>Technical data</b> .....	<b>2</b>
<b>Characteristic lines</b> .....	<b>4</b>
<b>Dimensions and connections</b> .....	<b>5</b>
<b>Order information</b> .....	<b>6</b>
Contact details.....	6

## Technical data

### General

type	directional valve, directly controlled
design	manifold mounting valve
weight	1.7 kg
ambient temperature	-10 to +50 °C
mounting position	arbitrary

### Hydraulic parameters

Hydraulic fluid: mineral oil according to DIN 51524, other media on request

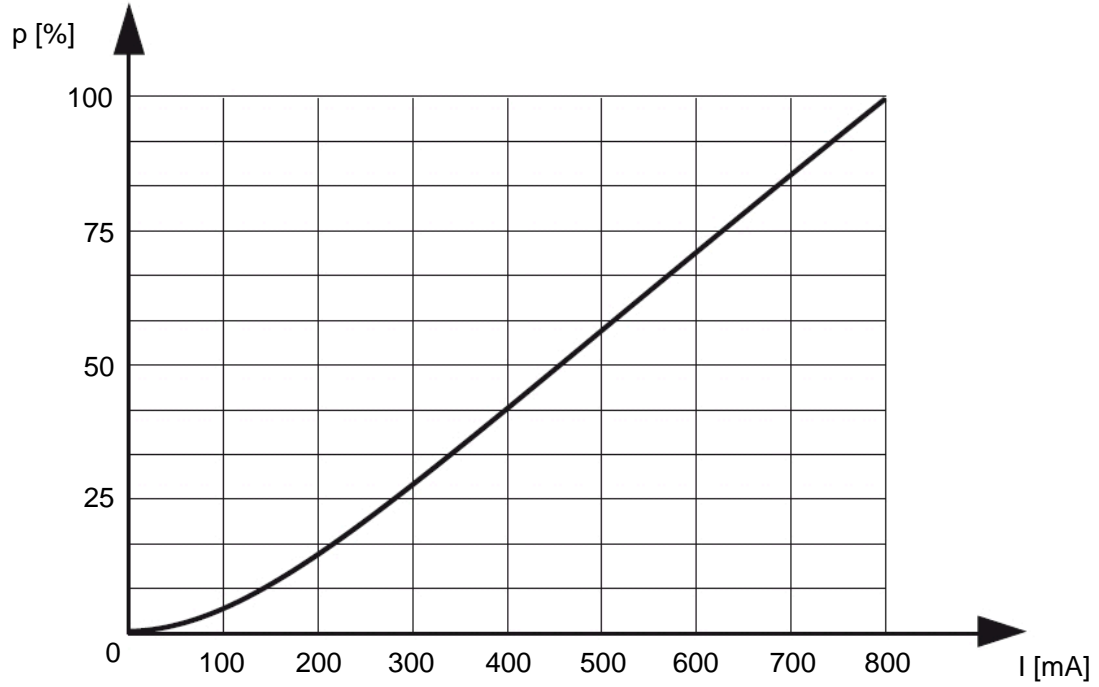
max. operating pressure	350 bar
setting pressure range	0-100 bar 0-160 bar 0-300 bar
max. volume flow	20 L/min
temperature hydraulic fluid	0 to +70 °C
viscosity	10-600 mm <sup>2</sup> /s
permissible degree of pollution	max. class 22/19/16 according ISO 4406
filter recommendation	filter retention rate $\beta_{25} > 75$
leakage oil	max. 0.1 L/min

## Electrical parameters

<b>actuation</b>	electromagnetic with proportional solenoid
<b>nominal voltage</b>	24 V
<b>voltage</b>	DC
<b>rated current</b>	0.8 A
<b>nominal capacity</b>	14 W
<b>duty cycle</b>	continuous operation
<b>protection class</b>	IP65 with plug (DIN 40050)
<b>connection</b>	connector (DIN43650-AF2-PG9)

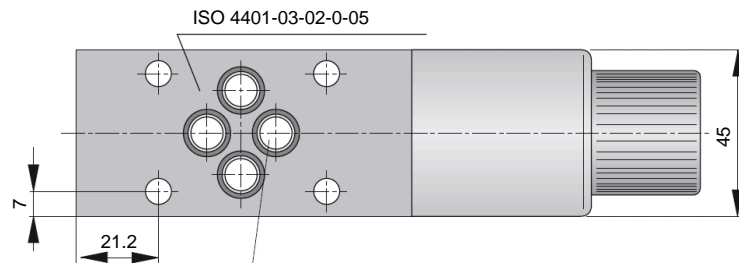
## Characteristic lines

measured at +50 °C temperature of hydraulic fluid, 35 mm<sup>2</sup>/s viscosity, ±5 % deviation

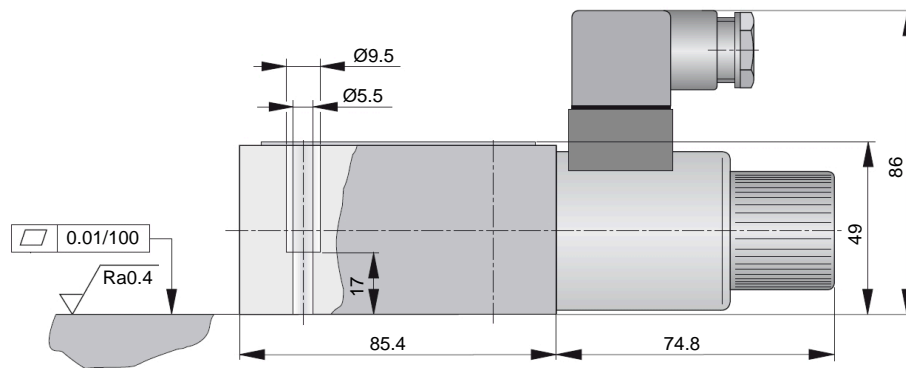


## Dimensions and connections

Dimensions are given in mm.



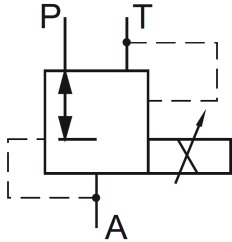
Connection B has no function. It must be closed on the mounting surfaces.



## Order information

### Type code

VPDM3	PC06	P	300
		pressure ranges	100 max. 100 bar 160 max. 160 bar 300 max. 300 bar
	size	PC06	see dimensions
<b>type</b>	proportional pressure reducing valve		



## Contact details

### Headquarters

HAWE Hydraulik SE  
Einsteinring 17  
85605 Aschheim  
Germany

e-mail: [info@hawe.de](mailto:info@hawe.de)  
[www.hawe.com](http://www.hawe.com)

Phone: +49 (0) 89 / 37 91 00 - 1000

### Contact to the Customer Service

Phone (Head office)	+ 49 (0) 89 / 37 91 00 - 1000
Phone (Spare parts)	+ 49 (0) 89 / 37 91 00 - 1302
Phone (Customer Service)	+ 49 (0) 89 / 37 91 00 - 1491
Fax (Customer Service)	+ 49 (0) 89 / 37 91 00 - 91491
e-mail	<a href="mailto:spareparts@hawe.de">spareparts@hawe.de</a> <a href="mailto:service@hawe.de">service@hawe.de</a>