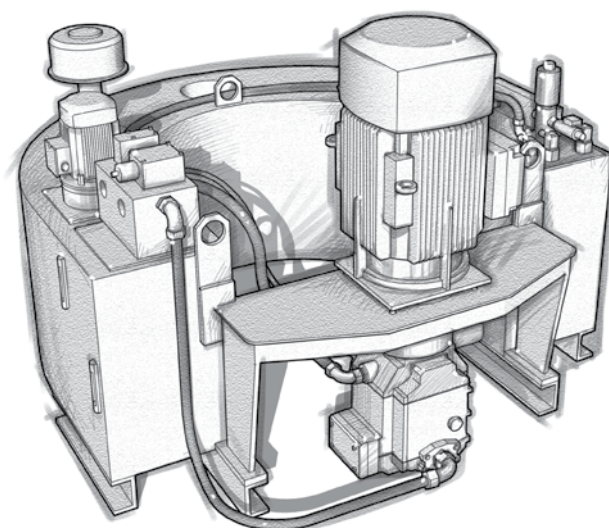
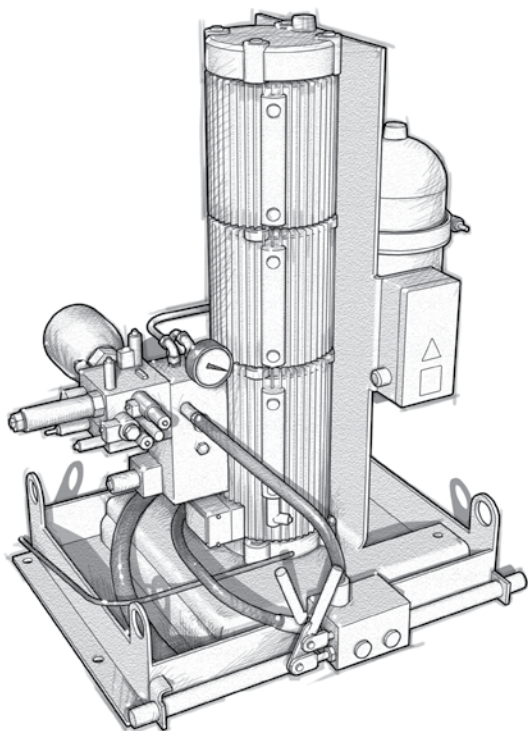
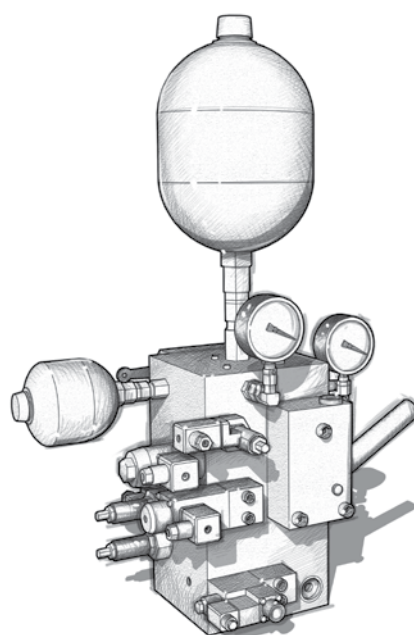
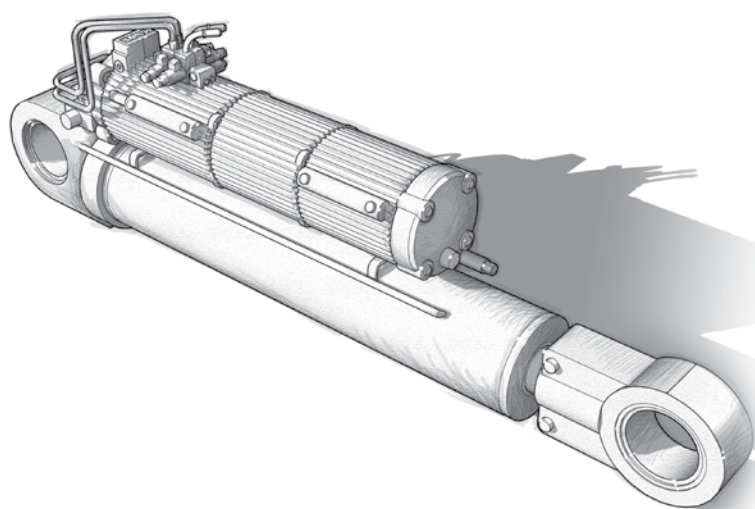


(Idea + Consultation + Technology)

= Solution



All you need to do is tell us your requirements and we will provide you with a perfectly tailor-made system. At HAWE we are completely focused on your ideas, needs and the demands placed on your machinery. This enables us to provide you with a complete and fully checked turnkey solution.

SOLUTIONS FOR A WORLD UNDER PRESSURE

HAWE
HYDRAULIK

HAWE Hydraulik: the energy you need to succeed.

We deliver the desired solution simply and quickly.

Unusual requirements cannot always be solved with a single range of products. It is often not possible to obtain all the components required from a single OEM. That's what a tailor-made system sometimes makes a complicated task. Fully integrated turnkey systems are therefore particularly appealing as they offer the following benefits:

- They leave you free to concentrate on your core competences
- The supplier ensures that all hydraulic components and electronics work seamlessly together
- The whole system is thoroughly tested in-house before delivery
- Specialist experience and knowledge of systems integration
- One single contact for all enquiries, before and after delivery.



Picture : HAWE Hydraulik

HAWE Hydraulik: a reliable systems integrator for unusual requirements.

As an experienced hydraulics manufacturer with an extensive range of products, our systems technology (SYSTEC) offers precisely these kinds of benefits. You will profit from our many years of experience in the industry, tried-and-tested components, and international presence. We provide a complete range of integrated services – from advice, design, and component procurement, right through to plug-and-play installation. Meeting extraordinary requirements is nothing out of the ordinary for us.

Here is just a small sample of the wide variety of markets in which our customers operate:

- Renewable energy
- Machine tools and production systems
- Industrial test facilities
- Braking and winching control systems
- Construction of special purpose machinery
- Municipal utility vehicles
- Lubricant delivery

The power of teamwork.

With our global sales and service network and state-of-the-art production facilities, we can handle almost anything, from the smallest control block to the largest drive unit. This means you benefit from low costs, reliable service and cutting-edge technology.



Picture: HAWE Hydraulik

Everything revolves around cost-effectiveness and quality.

SYSTEC solutions from HAWE Hydraulik use durable and robust components, and are the result of years of experience. A selection from our product range:

Application-specific manifolds:

Manifolds designed for customer-specific requests enable us to customize your requirements regarding material, connection sizes, pressure stability and installation position. We complete these with accumulators, valve technology and sensors as requested.

- Operating pressure (p_{max}): 400 bar
- Volume flow (Q_{max}): 75 l/min



Special requirements standardized:

We are accustomed to dealing with special requirements for varnishes, corrosion and surface protection. And we work together with you to make sure auxiliary components, such as fans, coolers, filters, cylinders, metrology and control devices are in the most ideal locations. Thanks to our network of reliable suppliers we can satisfy your requirements regarding the shape and size of the accumulator, frame constructions and other steel elements.

- Operating pressure (p_{max}): 350 bar
- Volume flow (Q_{max}): 390 l/min



Certified explosion protection:

Benefit from our extensive expertise in building hydraulic systems for potentially explosive environments. ATEX-compliant standardized motors, couplings, level and temperature switches are just a few examples how we provide the highest safety for the supply of pressurized oil.

- Operating pressure (p_{max}): 700 bar
- Volume flow (Q_{max}): 90 l/min



Complete hydraulic systems and test facilities:

To satisfy all your hydraulic needs we take over the design, assembly, programming, start-up operations and test the tailored system so you receive a one-stop-shopping experience. We guarantee this by providing the corresponding test log.

- Operating pressure (p_{max}): 700 bar
- Volume flow (Q_{max}): 500 l/min



End-to-end service.

With five sales offices in Germany, 14 subsidiaries worldwide and around 30 expert partner companies, HAWE Hydraulik is bound to have a presence in your area.

HAWE Hydraulik offers the following benefits:

- Comprehensive individual advice and assistance
- Customized solutions
- Products designed and manufactured using state-of-the-art technology
- Many years of experience and expertise in hydraulic products and their uses
- Tailored service and maintenance contracts
- Layout, set-up, maintenance/service on-site

If you have any questions, please get in touch. Our experts are always happy to help.

