

# Y-adapter

## Product documentation



Ambient temperature:  
Protection class:

-25 to 90 °C  
IP65, IP67



© by HAWE Hydraulik SE.

The reproduction and distribution of this document as well as the use and communication of its contents to others without explicit authorization is prohibited.

Offenders will be held liable for the payment of damages.

All rights reserved in the event of patent or utility model applications.

Brand names, product names and trademarks are not specifically indicated. In particular with regard to registered and protected names and trademarks, usage is subject to legal provisions.

HAWE Hydraulik respects these legal provisions in all cases.

HAWE Hydraulik cannot provide individual guarantees that the stated circuits or procedures (including in part) are not subject to the intellectual property rights of third parties.

Printing date / document generated on: 05.11.2021

## Table of Contents

<b>1</b>	<b>Y-adapter Overview.....</b>	<b>4</b>
<b>2</b>	<b>Parameters.....</b>	<b>5</b>
2.1	General data.....	5
2.2	Electrical data.....	5
<b>3</b>	<b>Dimensions.....</b>	<b>6</b>

# 1 Y-adapter Overview

Accessories for the data logger of the hydraulic locking units (type: HLU LE-X (E)) in amusement rides.

**Features and benefits**

- Ideal addition to the HAWE data logger for hydraulic locking units of the type HLU LE-X (E)
- Allows access to the electronic interface of the hydraulic locking unit - despite claddings
- M8 standard ports for easy integration
- Optimally matched to the HAWE data logger, available as separate accessory

**Intended applications**

- Amusement rides (e.g. roller coasters)

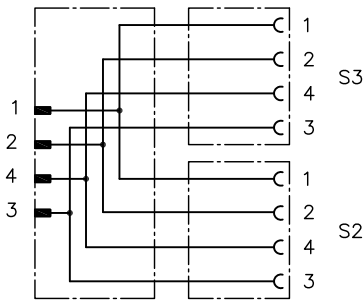
**Order**

- Order number: 014-1101-0
- Delivery time: on request

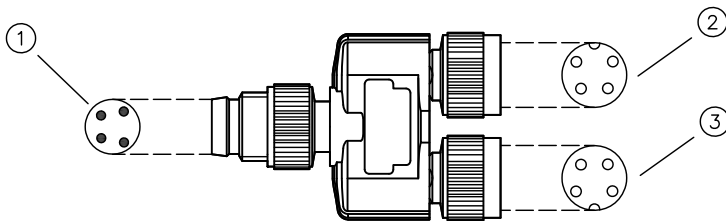


*HAWE Y-adapter  
(exemplary representation)*

**Hydraulic schematic**

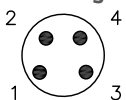


**Ports**

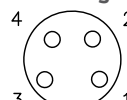


- 1 Port-side HAWE data logger
- 2 Port-side hydraulic locking unit HLU LE-X (E)
- 3 Port-side SPS amusement ride

**Pole diagram connector M8, pin side view**



**Pole diagram socket M8, socket side view**



## 2 Parameters

### 2.1 General data

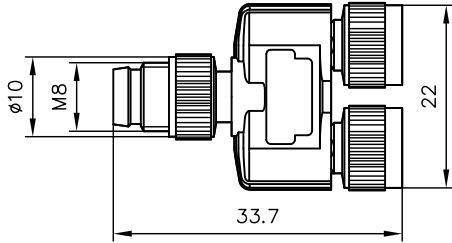
REACH SVHC	Lead 7439-92-1
China RoHS	Period of intended application (EFUP): 50 years
Designation	Y-adapter
Material	Flammability class according to UL 94: HB Contact: CuZn Contact surface: Ni/Au Contact carrier: TPU GF Handle body: TPU, flame retardant, self-extinguishing Knurl: Zinc die casting, nickel-plated Seal: NBR
Degree of contamination	3
Temperatures	Surrounding area: -25 °C ... 90 °C (connector/socket)
Installation position	Any (note ports)
Tightening torque	0.2 Nm
Ports/connections	M8 connector IEC 61076-2-104
Mating cycles	≥ 100
Weight per piece	11 g

### 2.2 Electrical data

Rated voltage	30 V AC and 30 V DC
Rated current at 40 °C	4 A
Number of contacts	4
Insulation resistance	≥ 10 GΩ
Coding	A - Standard
Overvoltage category	II
Protection class	IP65 and IP67

### 3 Dimensions

All dimensions in mm, subject to change.



Centre-to-centre  
distance

12

**HAWE Micro Fluid GmbH**

Borsigstraße 11 | 93092 Barbing | Germany

Phone +49 89 379100-6000 | [info@hawe-microfluid.com](mailto:info@hawe-microfluid.com) | [www.hawe.com](http://www.hawe.com)

