

Pressure-limiting valve type VDB (size 4 & 6)

operating pressure p_{max} 350 bar
 volume flow V_{max} 30 L/min



Product characteristics

Pressure-limiting valves are a type of pressure control valve. They safeguard the system against excessive system pressure or limit the operation pressure.

Features and benefits:

- pressure-limiting valve: available in 3 pressure levels, pressure adjustable within each pressure range
- screw-in cartridge valve
- seated valve, directly controlled
- very small dimensions

Table of Contents

Technical data	2
Characteristic lines	3
Dimensions and connections	5
Order information	7
Contact details	8

Technical data

General

weight	BE04:	0.10 kg
	BE06:	0.15 kg

ambient temperature	-30 to +50 °C
---------------------	---------------

mounting position	arbitrary
-------------------	-----------

Hydraulic parameters

Hydraulic fluid: mineral oil according to DIN 51524, other media on request

Pressure setting range: see characteristic lines and order information.

max. operating pressure	350 bar
-------------------------	---------

max. volume flow	BE04:	20 L/min
	BE06:	30 L/min

temperature hydraulic fluid	-25 to +70 °C
-----------------------------	---------------

viscosity	10-600 mm ² /s
-----------	---------------------------

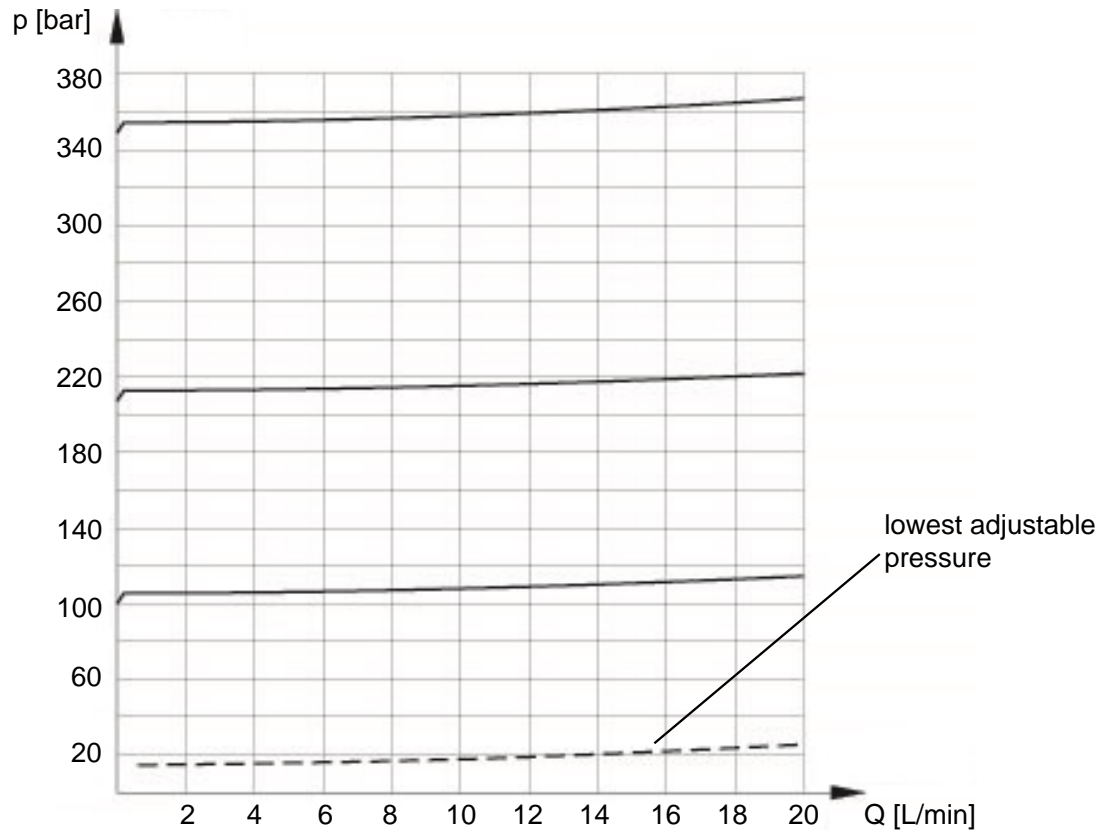
permissible degree of pollution	max. class 20/18/15 according ISO 4406
---------------------------------	--

filter recommendation	filter retention rate $\beta_{25} > 75$
-----------------------	---

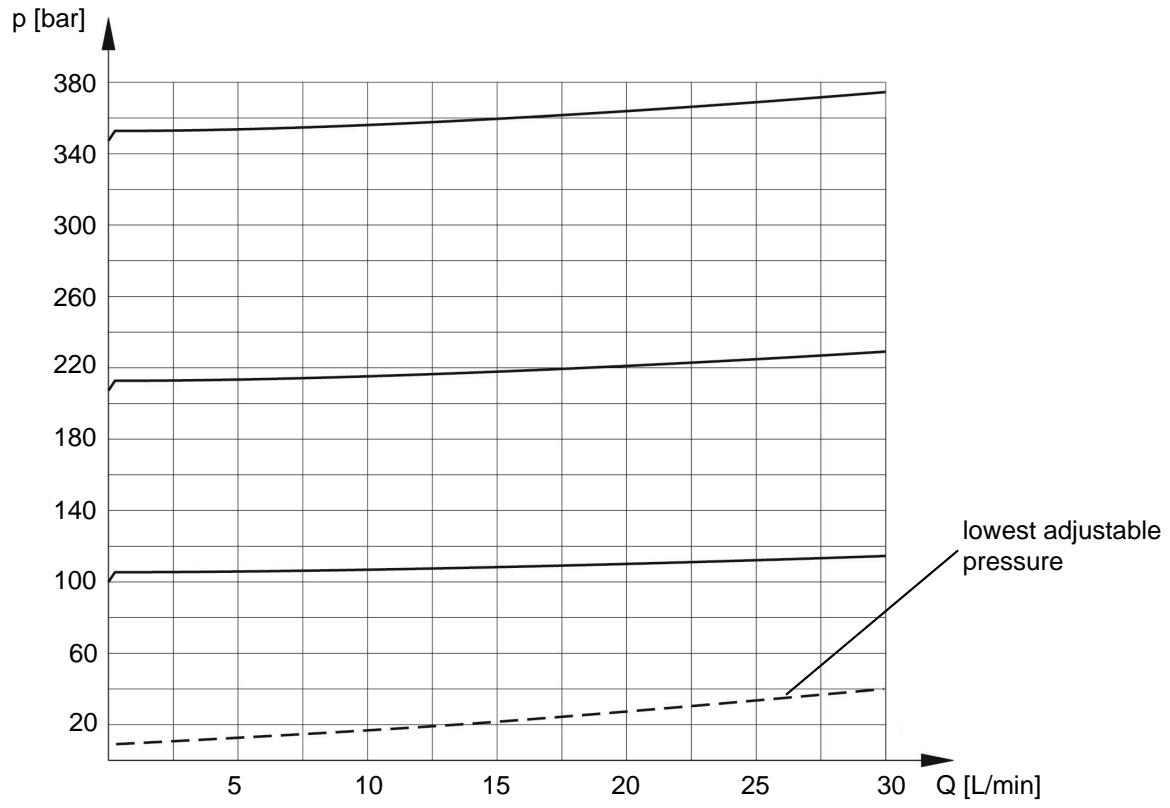
Characteristic lines

measured at 50 °C temperature of hydraulic fluid, viscosity 35 mm²/s, tolerance ±5 %

VD BE04



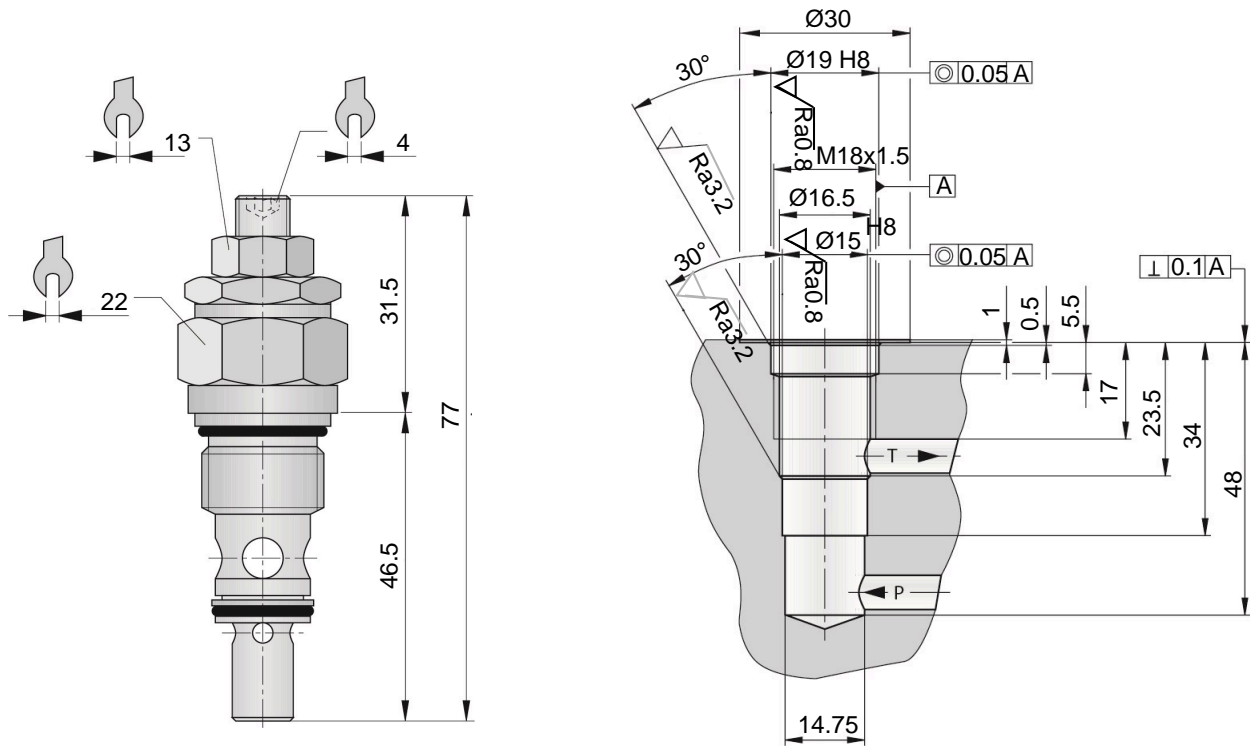
VDBE06



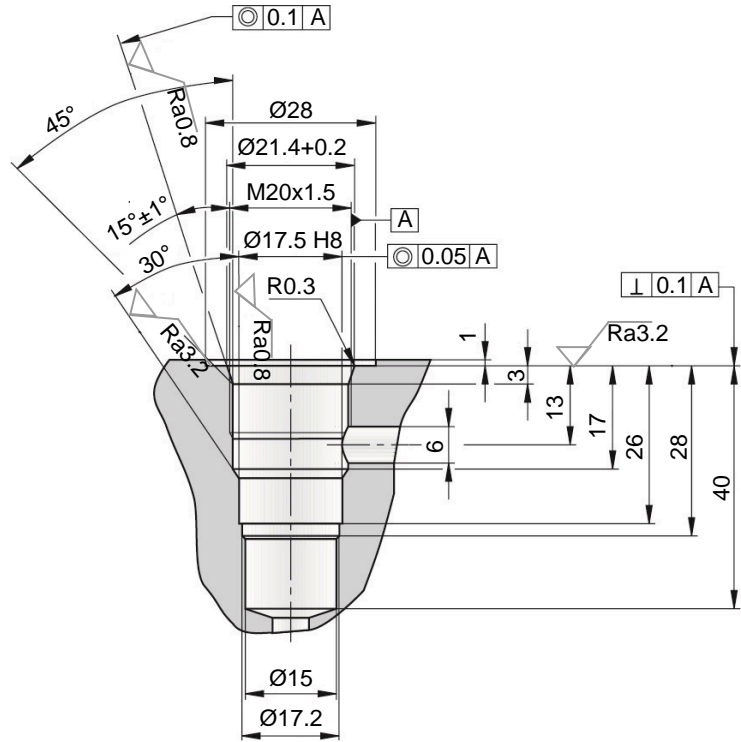
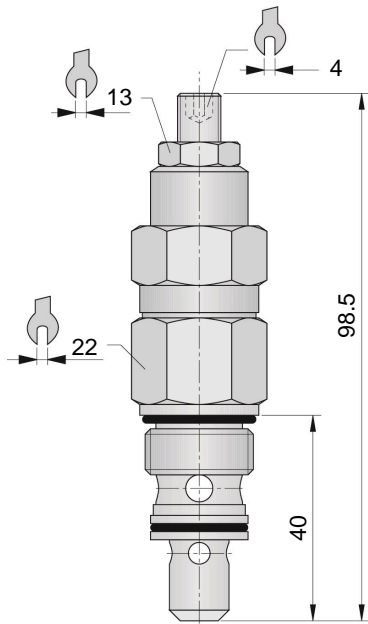
Dimensions and connections

Dimensions are given in mm.

VDBE04



VDBE06



Order information

Type code

VDBE	04	E	210												
			pressure range												
			<table border="1"> <thead> <tr> <th></th> <th>VDBE04</th> <th>VDBE06</th> </tr> </thead> <tbody> <tr> <td>100</td> <td>15 - 100 bar</td> <td>10 - 100 bar</td> </tr> <tr> <td>210</td> <td>30 - 210 bar</td> <td>20 - 210 bar</td> </tr> <tr> <td>350</td> <td>80 - 350 bar</td> <td>30 - 350 bar</td> </tr> </tbody> </table>		VDBE04	VDBE06	100	15 - 100 bar	10 - 100 bar	210	30 - 210 bar	20 - 210 bar	350	80 - 350 bar	30 - 350 bar
	VDBE04	VDBE06													
100	15 - 100 bar	10 - 100 bar													
210	30 - 210 bar	20 - 210 bar													
350	80 - 350 bar	30 - 350 bar													
			adjustment possibility with hexagon key												
	size	04	see dimensions												
		06													
type			pressure-limiting valve												

Contact details

Headquarters

HAWE Hydraulik SE
Einsteinring 17
85605 Aschheim
Germany

e-mail: info@hawe.de
www.hawe.com

Phone: +49 (0) 89 / 37 91 00 - 1000

Contact to the Customer Service

Phone (Head office)	+ 49 (0) 89 / 37 91 00 - 1000
Phone (Spare parts)	+ 49 (0) 89 / 37 91 00 - 1302
Phone (Customer Service)	+ 49 (0) 89 / 37 91 00 - 1491
Fax (Customer Service)	+ 49 (0) 89 / 37 91 00 - 91491
e-mail	spareparts@hawe.de service@hawe.de