

Supplement No. 76

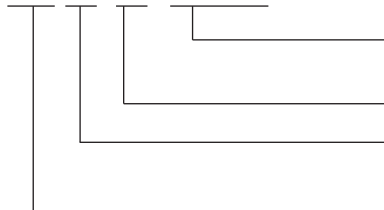
3/3- and 4/3-way directional seated valves, size 22

Flow Q_{max} = 25 lpm
 Operation pressure p_{max} = 700 bar

The directional seated valves described here represent an addition to those of D 7300.
 The main difference is the max. operation pressure of 700 bar.

Available versions, main data

Order examples: **G 39 - 22 - G 24**
WG 49 - 22 - WG 230



Solenoid voltage **G 12, G 24, WG 110, WG 230**
 (for detailed data, see D 7300 / D 7302)

Size
 Table 2

Note: All other data are listed in D 7300, size 2

Table 1: Actuation

G	Solenoid actuation (DC-voltage)	Other actuations on request!
WG	Solenoid actuation (AC-voltage)	

Flow and operation pressure

$Q_B \leq 25$ lpm $p_{max} = 500$ bar

$Q_B \leq 12$ lpm $p_{max} = 700$ bar

Release ratio = 1: 4.56 (coding ..49)

Mass (weight) = approx. 3.7 kg

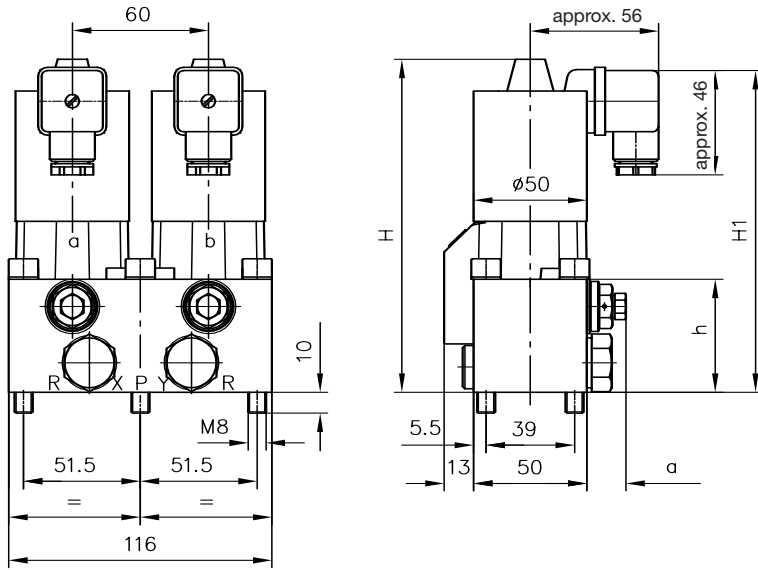
Table 2: Flow pattern symbols

39	48	49
Simplified symbols		
<p>39</p>	<p>48</p>	<p>49</p>

Unit dimensions

All dimensions in mm, subject to change without notice!

Illustrated as coding 49 (only insignificant deviations at coding 39)



	H	H1	h	a	c
G39-22	147	142	50	10.5	32.5
G48-22	131	126	34	11.4	30.2
G49-22	147	142	50	16	30.2

Sealing of ports via O-rings:

Ports	P	R, A, B	X and Y
∅ (mm)	7.5	7.5	3
O-ring 90 Sh	12.42x1.78	9.25x1.78	3.68x1.78

Hole pattern of the manifold

